

ZyPer4K Wallplate Introduction



December 2023

ZYPER4K WALL PLATE ENCODERS AND DECODERS

US Formats

Part Numbers US Form Factor

Z4KENCC3XS-WPUS

Z4KDECC3XS-WPUS

HID USB

Z4KENCC3XS-WPUS-I

Z4KDECC3XS-WPUS-I

Icron USB



ZYPER4K WALL PLATE ENCODERS AND DECODERS

EU/UK Formats

Part Numbers US Form Factor

Z4KENCC3XS-WPEU

Z4KDECC3XS-WPEU

HID USB

Z4KENCC3XS-WPEU-I

Z4KDECC3XS-WPEU-I

Icron USB



WALLPLATE SPECIFICATIONS (ENCODER)

Front View

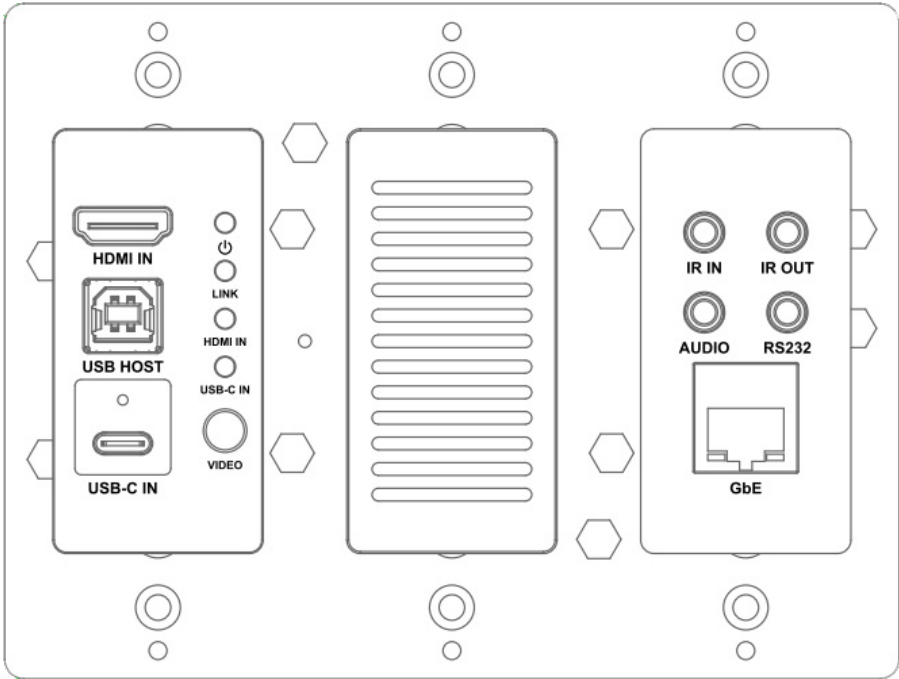
POWER indicator	Green LED On: The device is powered on and constantly lights green
LINK indicator	Blue LED Off: The device is not receiving Ethernet data because the 10GbE port is not connected. Blinking: The device is receiving Ethernet data through the 10GbE port. On: The 10GbE port is connected but the device is not receiving Ethernet data.
HDMI indicator	Blue LED, indicates video input on HDMI port
USB-C indicator	Blue LED, indicates video input on USB-C input
HDMI IN connector	HDMI Type-A female connector, video input
HDMI OUT connector	HDMI Type-A female connector, video output
USB Host connector	1 x USB-Type B connector, female connector, connected with USB host
IR IN connector	1 x 3.5 mm TRS jack connector, connected with an IR receiver
IR OUT connector	1 x 3.5 mm TS jack connector, connected with an IR emitter
AUDIO OUT connector	1 x 3.5 mm TRS jack connector, for analog audio signal output
RS-232 connector	1 x 3.5 mm TRS jack connector, for bi-directional RS232 communication
GbE connector	1 x RJ45 connector, for control or Ethernet passthrough (Utility port)
GbE indicator	[Left (Green)] Off: The interface works on 100Base-T mode, or the interface is not connected. On: The interface works on 1000Base-T mode. [Right (Yellow)] Off: The interface is not connected. Blinking: The communication is running through the interface. On: The interface is connected but no communication is running.

Back View

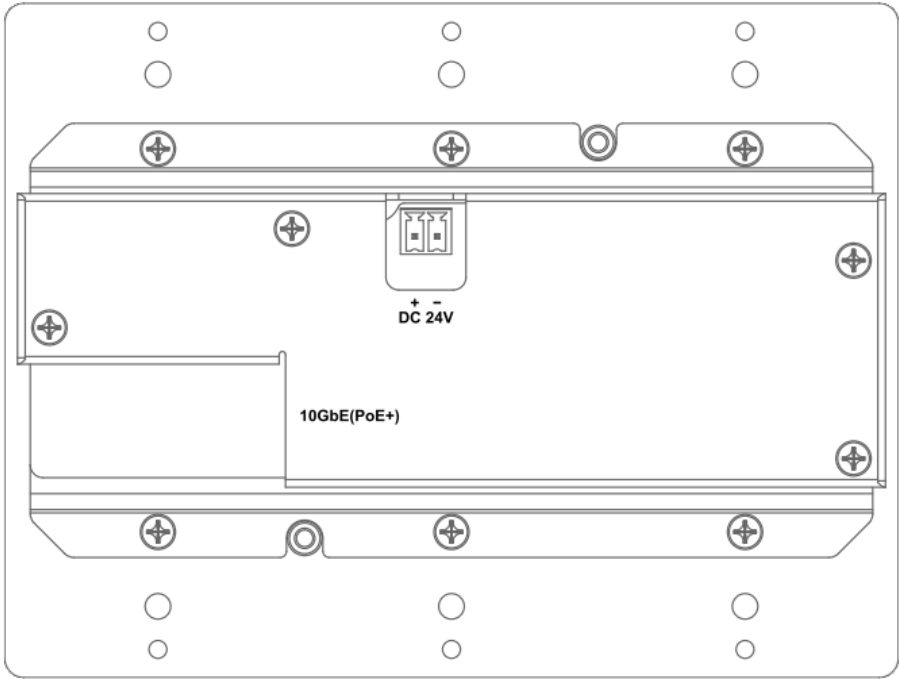
10GbE PoE+ connector	1 x RJ45, 10GBaset-T specification, for control, signal output and power (802.3at, PoE+)
10GbE PoE+ indicators	[Left (Dual color, yellow + green)] Off: The interface works on 1000Base-T mode, or the interface is not connected. Yellow: The interface works on 10GBase-T mode. Green: The interface works on 2.5/5GBaseT mode. [Right (Yellow)] Off: The interface is not connected. Blinking: The communication is running through the interface. On: The interface is connected but no communication is running.
DC 24V connector	1 x 2-pin 3.5mm phoenix connector, DC 24V 3A

WALLPLATE SPECIFICATIONS (ENCODER)

Front View (US Form Factor)

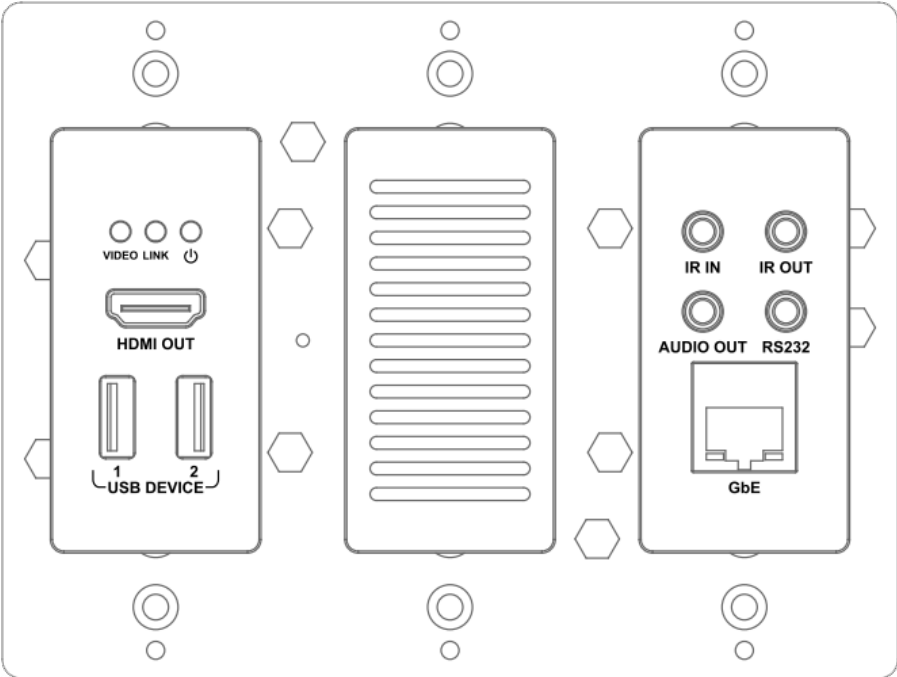


Back View (US Form Factor)

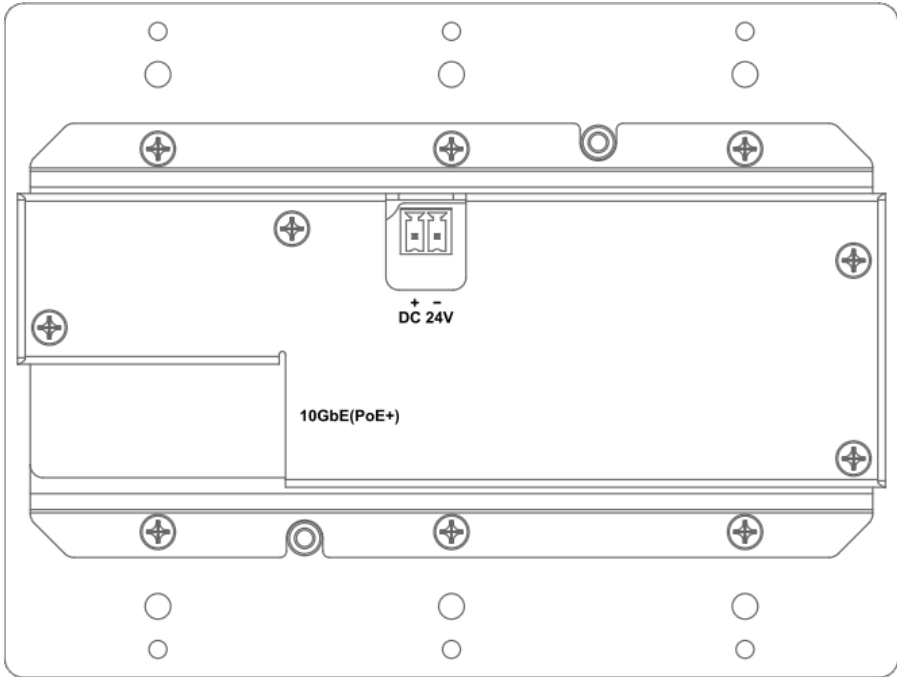


WALLPLATE SPECIFICATIONS (DECODER)

Front View (US Form Factor)



Back View (US Form Factor)



WALLPLATE SPECIFICATIONS (DECODER)

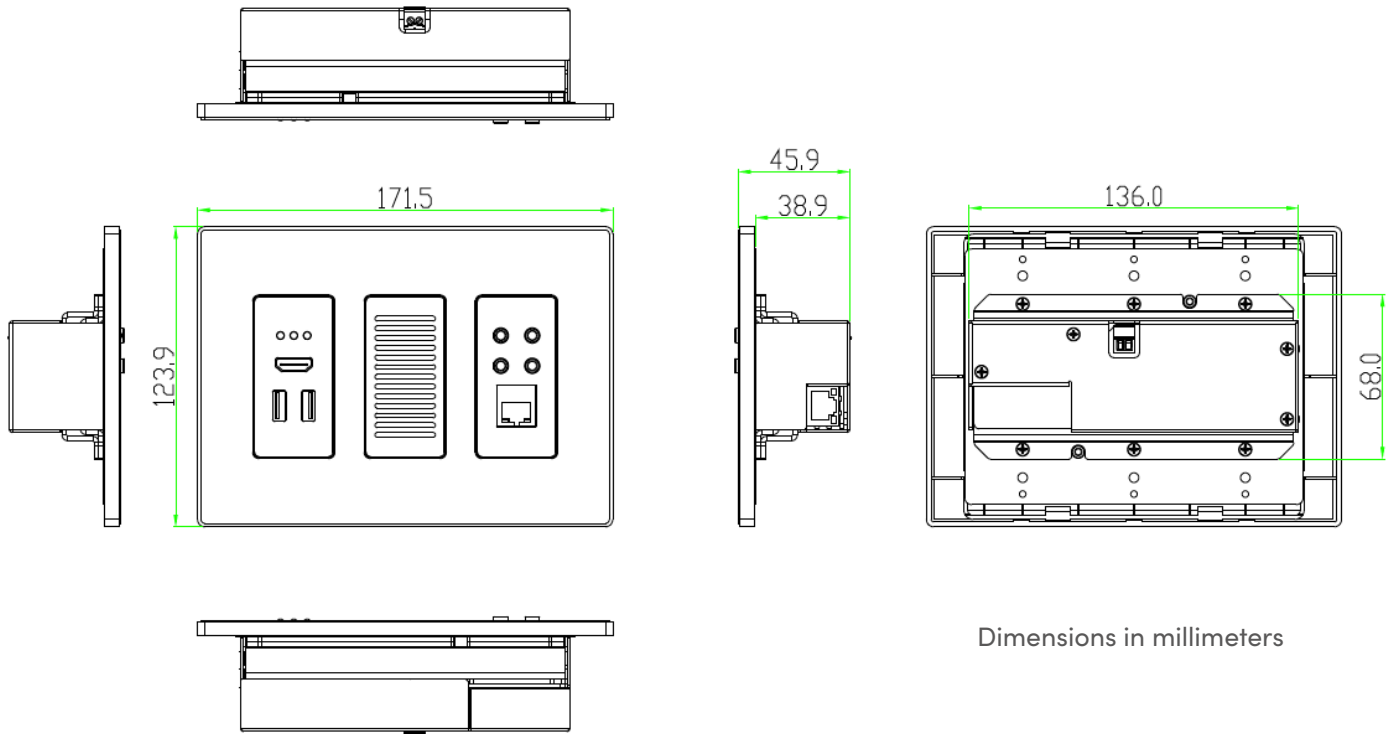
Front View

POWER indicator	Green LED On: The device is powered on and constantly lights green Off: The device is powered off or lost power
LINK indicator	Blue LED Off: The device is not receiving Ethernet data because the 10GbE port is not connected. Blinking: The device is receiving Ethernet data through the 10GbE port. On: The 10GbE port is connected but the device is not receiving Ethernet data.
VIDEO indicator	Blue LED On: The device is transmitting the video signal to the connected sink Off: The device does not transmit the video signal
HDMI OUT connector	A HDMI Type-A female connector, video output
USB DEVICE connector	2 x USB Type-A female connector, connected with USB devices
IR IN connector	1 x 3.5 mm TRS jack connector, connected with an IR receiver
IR OUT connector	1 x 3.5 mm TS jack connector, connected with an IR emitter
AUDIO OUT connector	1 x 3.5 mm TRS jack connector, for analog audio signal output
RS-232 connector	1 x 3.5 mm TRS jack connector, for bi-directional RS232 communication
GbE connector	1 x RJ45 connector, for control or Ethernet passthrough (Utility port)
GbE indicator	[Left (Green)] Off: The interface works on 100Base-T mode, or the interface is not connected. On: The interface works on 1000Base-T mode. [Right (Yellow)] Off: The interface is not connected. Blinking: The communication is running through the interface. On: The interface is connected but no communication is running.

Back View

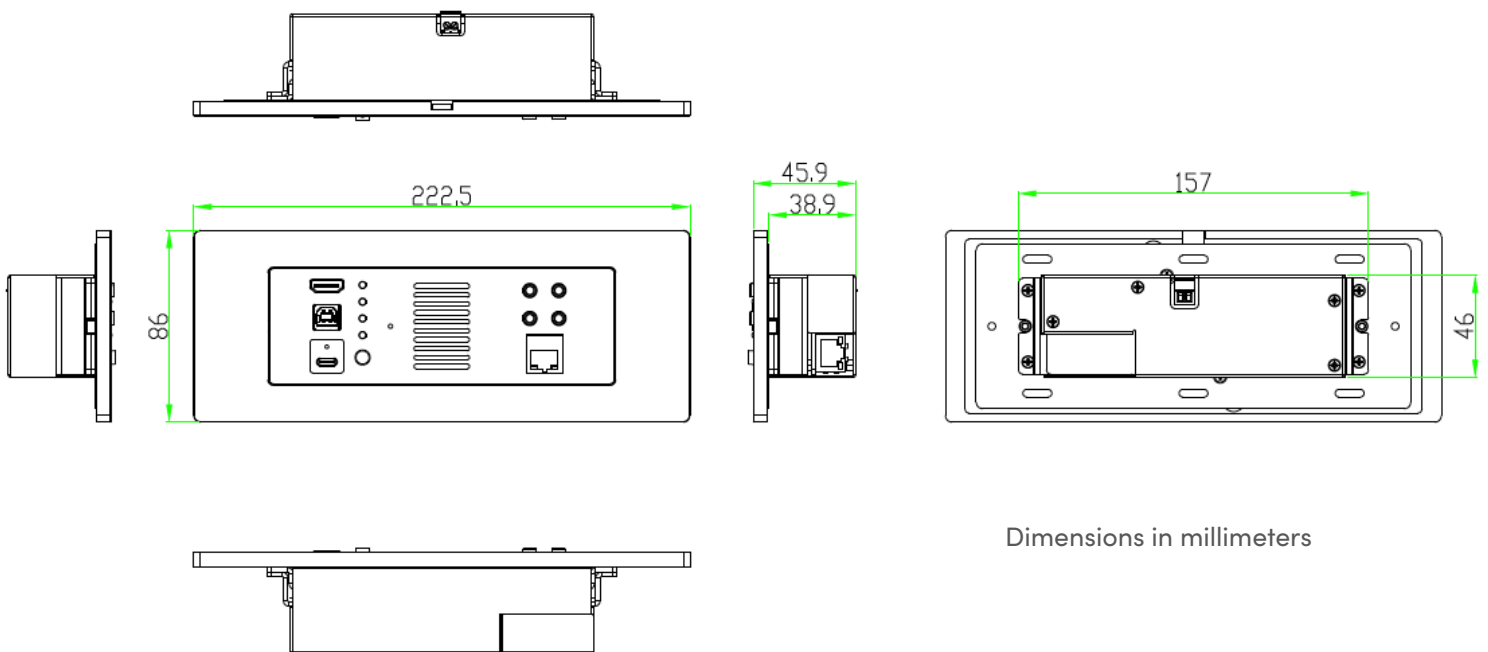
10GbE PoE+ connector	1 x RJ45, 10GBaset-T specification, for control, signal output and power (802.3at, PoE+)
10GbE PoE+ indicators	[Left (Dual color, yellow + green)] Off: The interface works on 1000Base-T mode, or the interface is not connected. Yellow: The interface works on 10GBase-T mode. Green: The interface works on 2.5/5GBaseT mode. [Right (Yellow)] Off: The interface is not connected. Blinking: The communication is running through the interface. On: The interface is connected but no communication is running.
DC 24V connector	1 x 2-pin 3.5mm phoenix connector, DC 24V 3A

WALLPLATE DIMENSIONS (US FORM FACTOR)



Dimensions in millimeters

WALLPLATE DIMENSIONS (EU/UK FORM FACTOR)



Dimensions in millimeters

About ZeeVee

ZeeVee is a leading provider of AV distribution technology. The company has transformed the digital video industry with its award-winning encoders, decoders and software solutions for the pro AV and IT marketplace. Integrators and consultants rely on ZeeVee for its innovative, cost-effective and easy to install AVoIP and RF distribution platforms for their corporate, higher education, government, healthcare, casino, museum, hospitality and retail customers. A founding member of the SDVoE Alliance and a PSNI Global Alliance Preferred Vendor Partner, ZeeVee holds a GSA schedule, and its products are TAA-compliant.* ZeeVee is headquartered in the greater Boston area with European HQ in Augsburg, Germany and SE Asian offices in Singapore.

For more information visit www.zeevee.com

*ZyPer4K Wallplates are not TAA-compliant at this time.



**GSA CONTRACT #
47QTCA19D00JZ**